

***Installation Guide***  
***for***  
***BLC-015 V2.2 Lock Controller***  
***w/Battery charger***

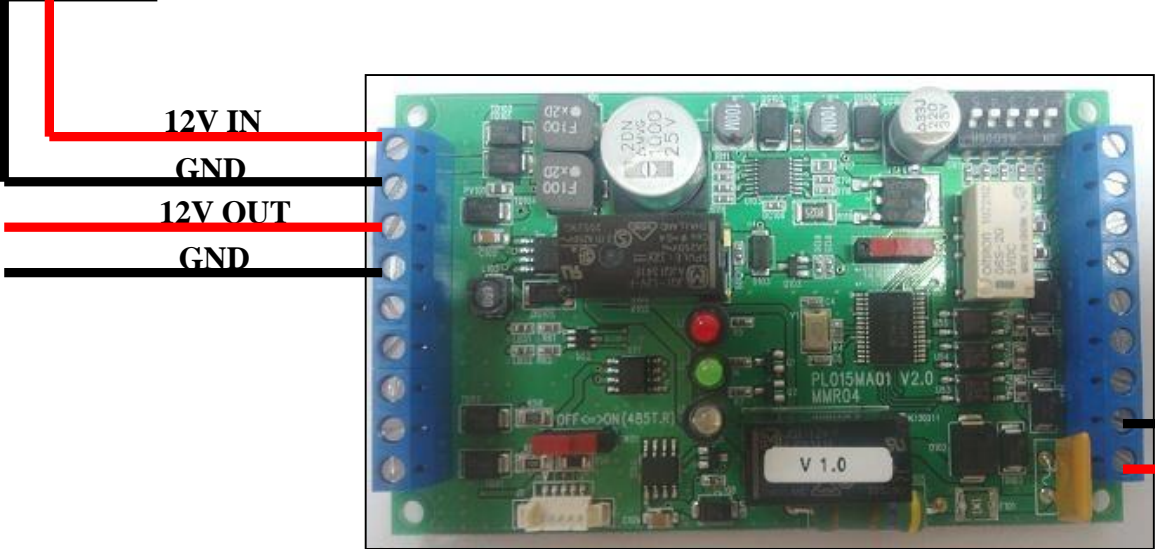


*August.05.2014*  
***HSD TEAM***  
***Union Community Co., Ltd.***

# 1. Power Connection



**DC 12V 2.5A  
Power Adapter**

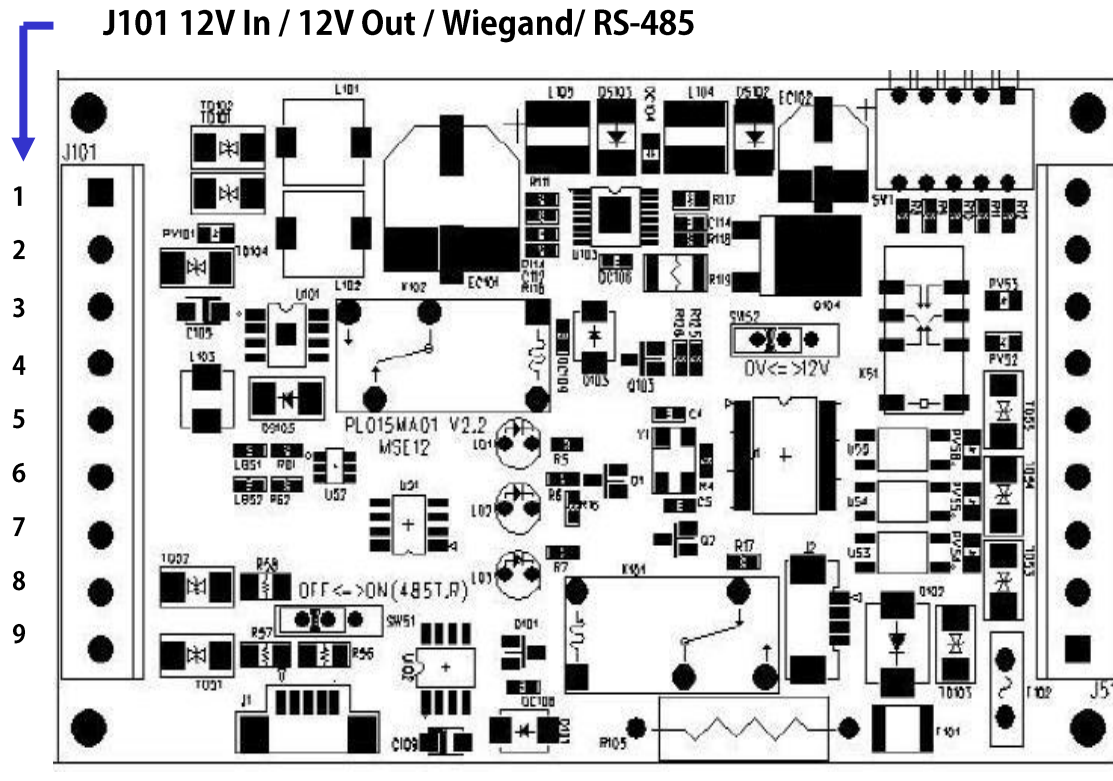


**BAT(-)**

**BAT(+)**

**Backup Battery  
Interface**

# 2. Board Feature & Connector Description



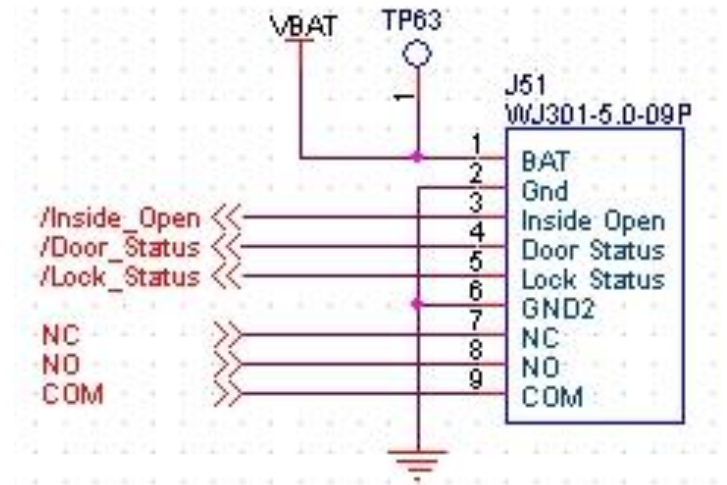
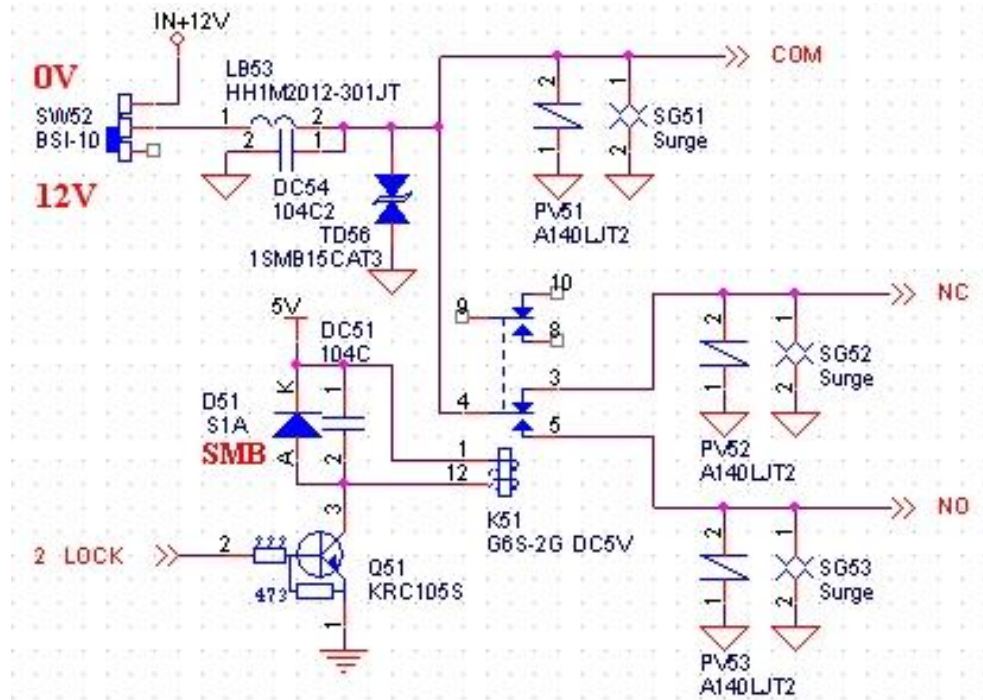
**J101 12V In / 12V Out / Wiegand/ RS-485**

- J101**
- 1 [ 12V IN ] : 12V Power Input
  - 2 [ GND ] : Ground
  - 3 [ 12V OUT ] : 12V Power Out
  - 4 [ GND ] : Ground
  - 5 [ Wie IN0 ] : Wiegand IN0
  - 6 [ Wie IN1 ] : Wiegand IN1
  - 7 [ GND ] : Ground
  - 8 [ 485-A ] : RS-485A
  - 9 [ 485-B ] : RS-485B

- J51**
- 9 [ COM ] : Common
  - 8 [ NO ] : Normal Open
  - 7 [ NC ] : Normal Close
  - 6 [ GND ] : Ground
  - 5 [ IN2 ] : Lock Status
  - 4 [ IN1 ] : Door Status
  - 3 [ IN0 ] : Inside Open
  - 2 [ GND ] : Battery(-)
  - 1 [ 12V BAT ] : Battery(+)

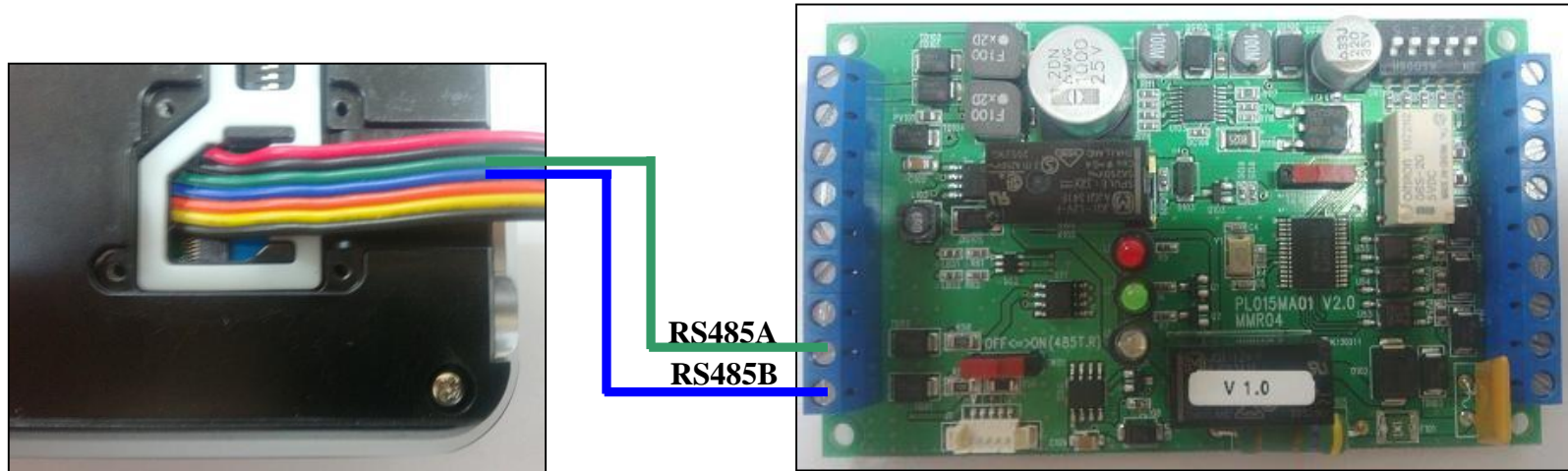
**J51 Battery IN / Input Port / Lock Control**

# 3. Schematic for Door Lock Interface



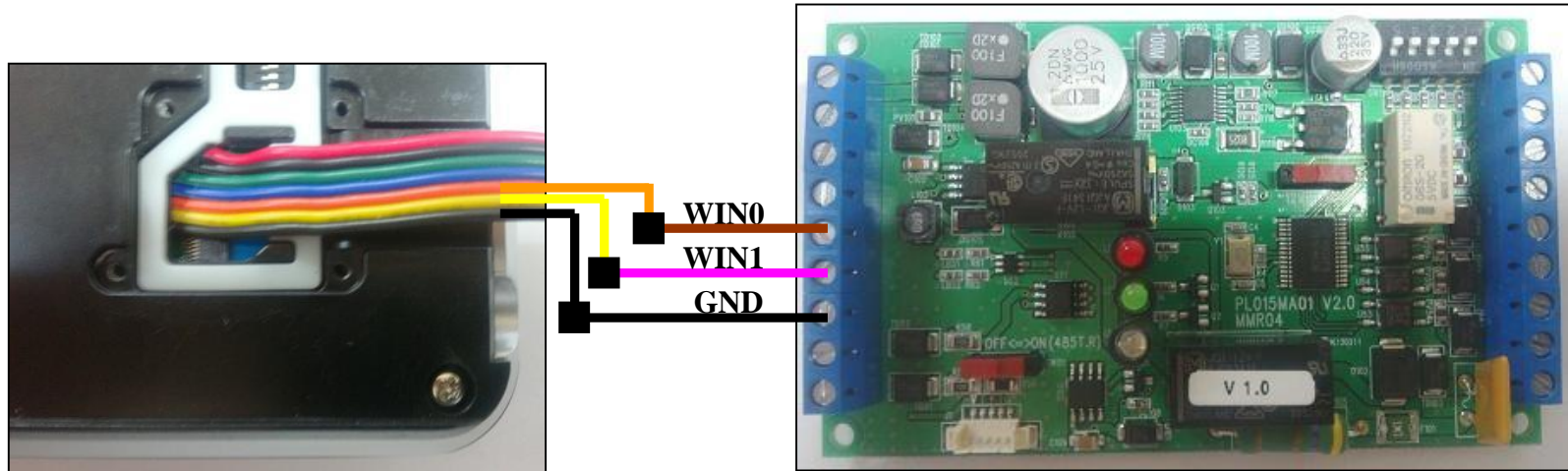
# 4. Connecting RS-485 Interface

## ◆ RS-485 Interface



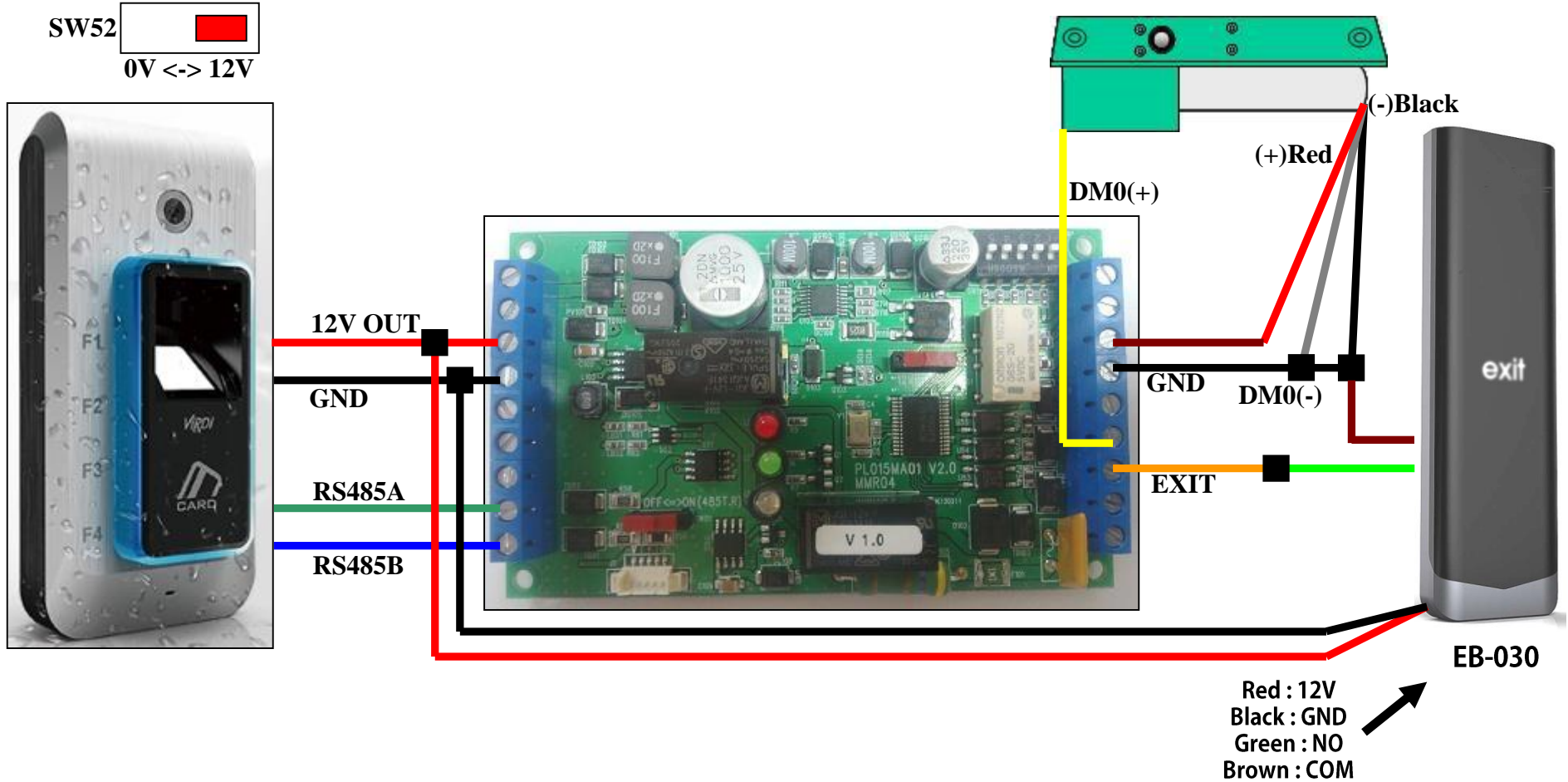
# 5. Connecting Wiegand Interface

## ◆ Wiegand Interface



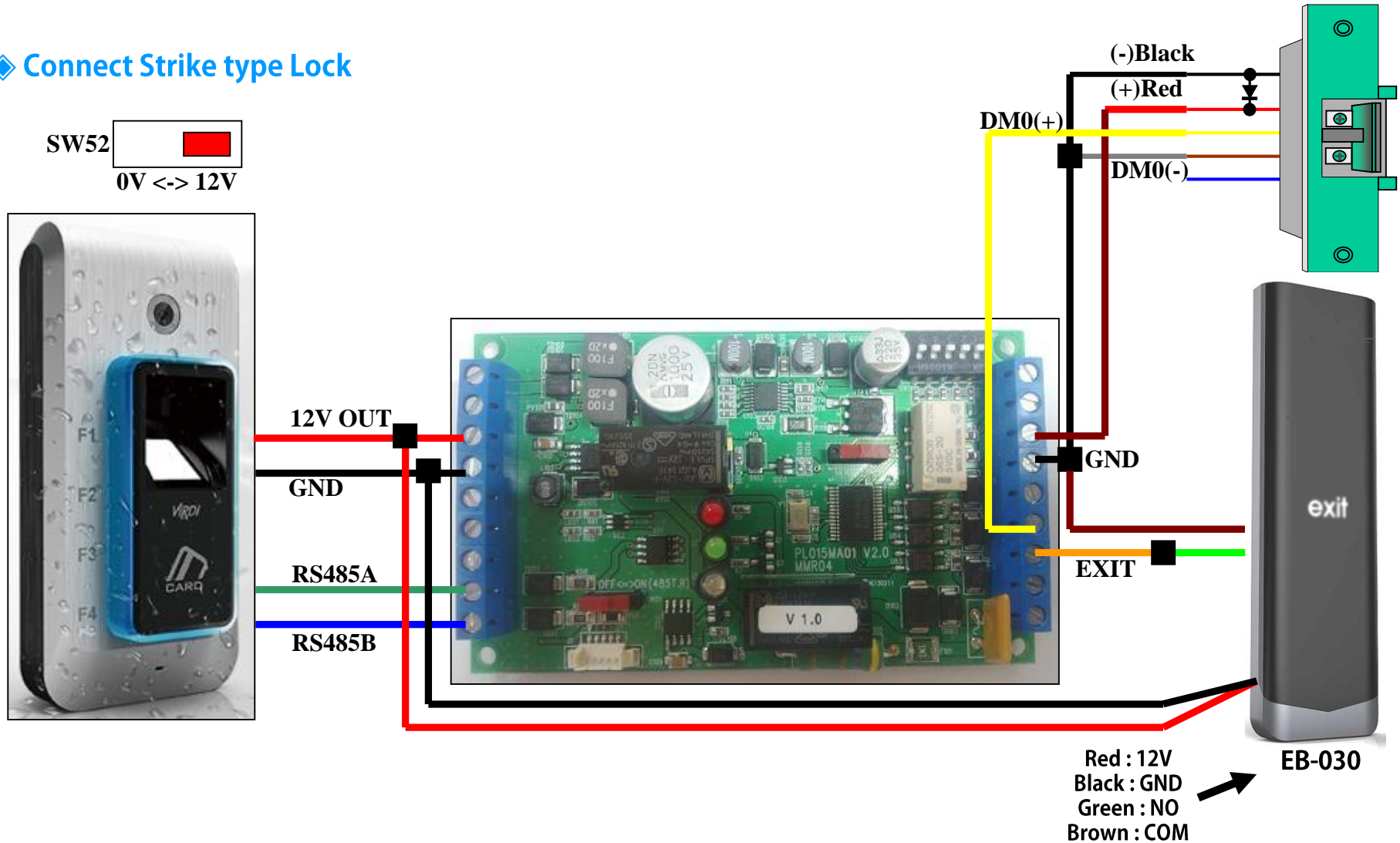
# 6. Connecting Dead-Bolt Type Door Lock (Fail Safe)

## ◆ Connect Dead-Bolt Lock



# 7. Connecting Strike Type Door Lock (Fail Safe)


## ◆ Connect Strike type Lock

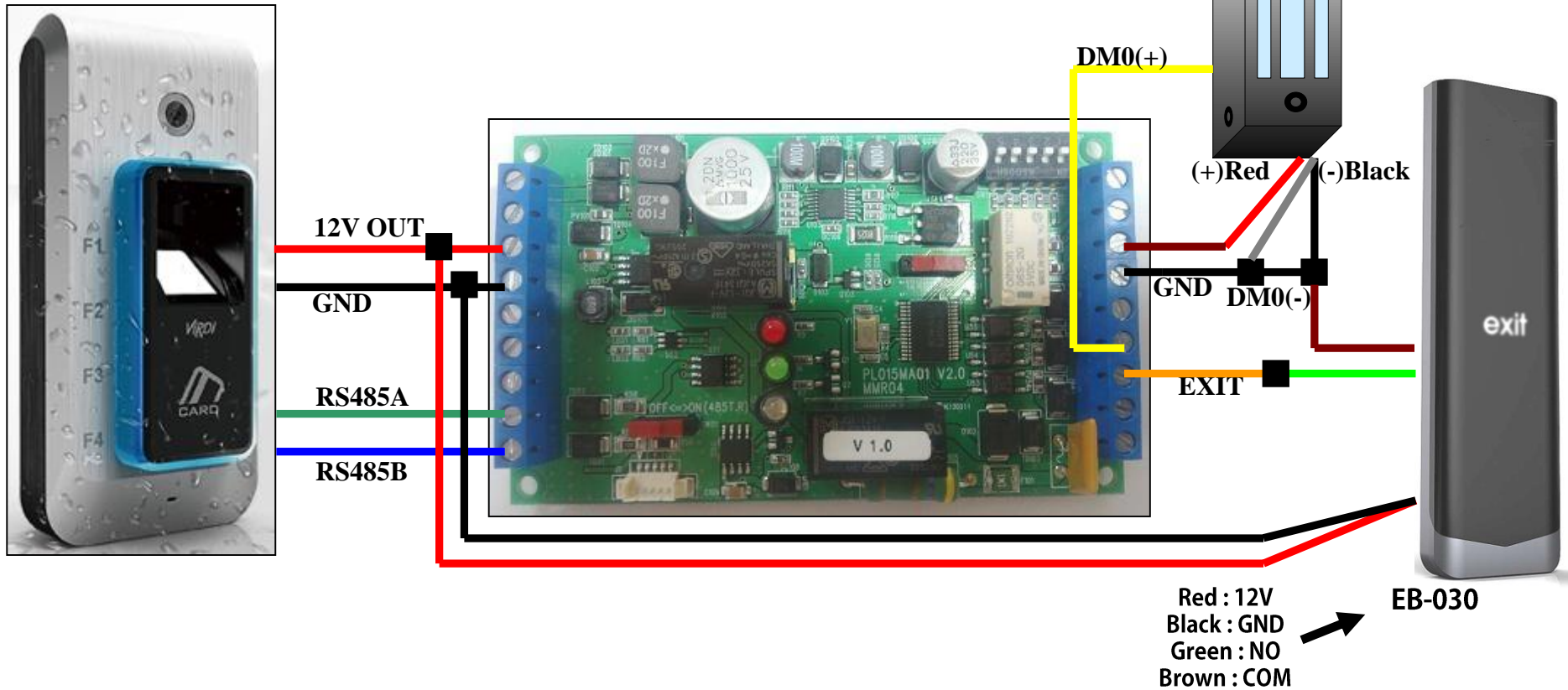




# 8. Connecting EM Type Door Lock (Fail Safe)

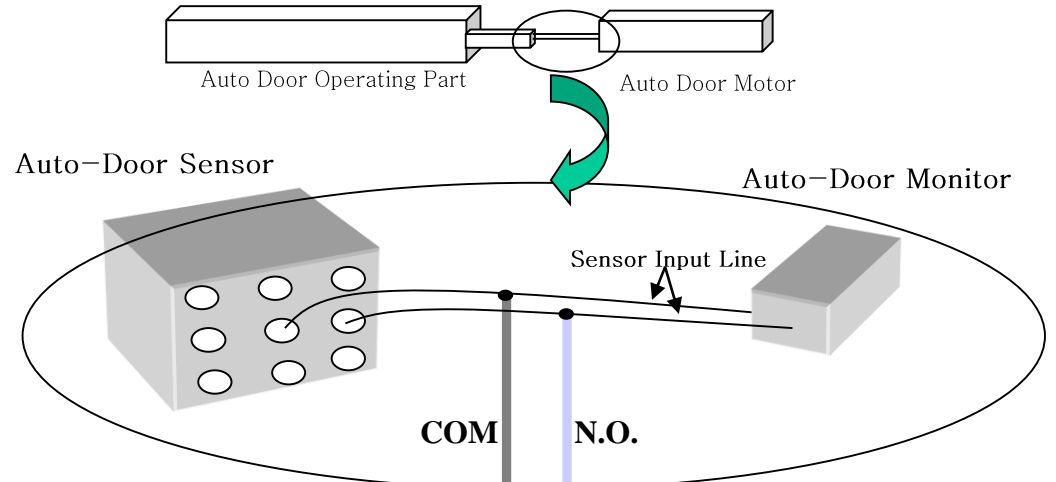
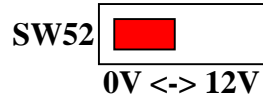
## ◆ Connect EM Lock

SW52   
0V <-> 12V



# 9. Connecting Auto-Door ( Contact Control )

## ◆ Connect Auto-Door Lock



12V OUT  
GND  
RS485A  
RS485B

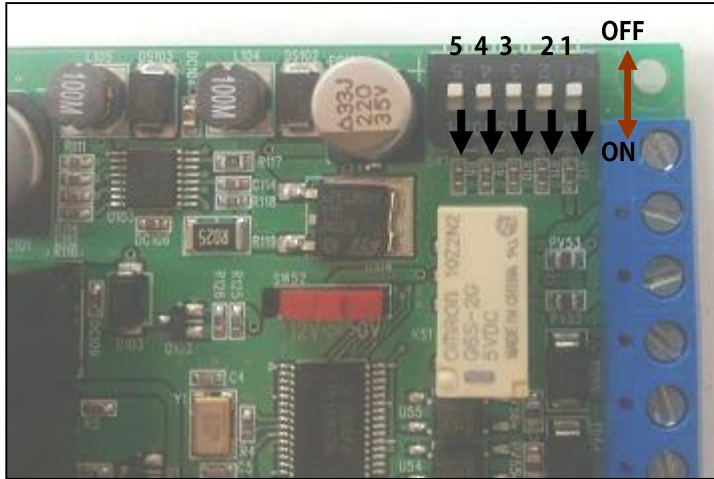


Red : 12V  
Black : GND  
Green : NO  
Brown : COM

EB-030

# 10. RS-485 ID & Open duration Setting

## ◆ SW1 Switch Feature



## ◆ RS-485 ID Setting

| RS485 ID | SW1 |     |
|----------|-----|-----|
|          | 1   | 2   |
| 0        | OFF | OFF |
| 1        | OFF | ON  |
| 2        | ON  | OFF |
| 3        | ON  | ON  |

## ◆ Lock Open Duration Setting

| Open Time (sec) | SW1 |     |     |
|-----------------|-----|-----|-----|
|                 | 3   | 4   | 5   |
| 0.2             | OFF | OFF | OFF |
| 0.5             | OFF | OFF | ON  |
| 1               | OFF | ON  | OFF |
| 1.5             | OFF | ON  | ON  |
| 2               | ON  | OFF | OFF |
| 3               | ON  | OFF | ON  |
| 4               | ON  | ON  | OFF |
| 5               | ON  | ON  | ON  |